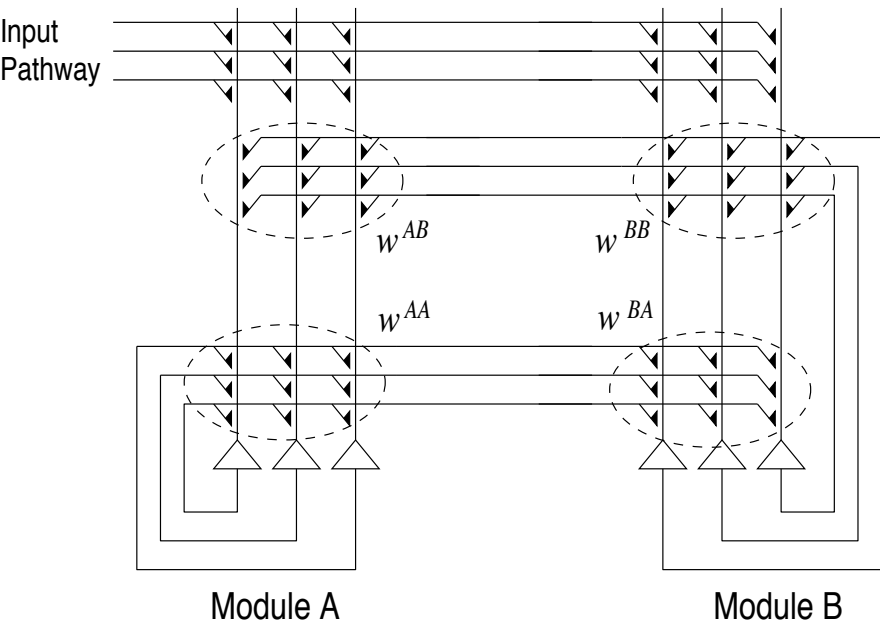


A. Modular attractor model



B. Time evolution of overlaps

